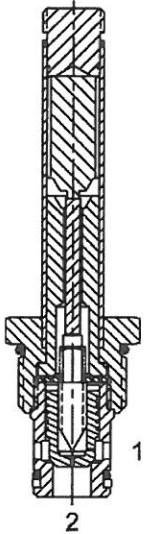




DE-S2C Pilot Operated Poppet, 2 Way, Normally Open



DESCRIPTION

10 size, 7/8-14 thread, "Delta" series, solenoid operated, 2 way normally open, pilot operated poppet valve with free reverse flow energized.

OPERATION

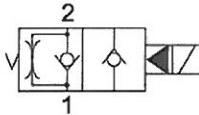
When de-energized the DE-S2C allows flow to pass from (1) to (2), but restricts flow from (2) to (1). When energized the valve blocks flow from (1) to (2) but allows free reverse flow from (2) to (1).

OPERATION OF MANUAL OVERRIDE OPTION: To override, turn the manual override screw clockwise. To release turn the manual override screw counter-clockwise.

FEATURES

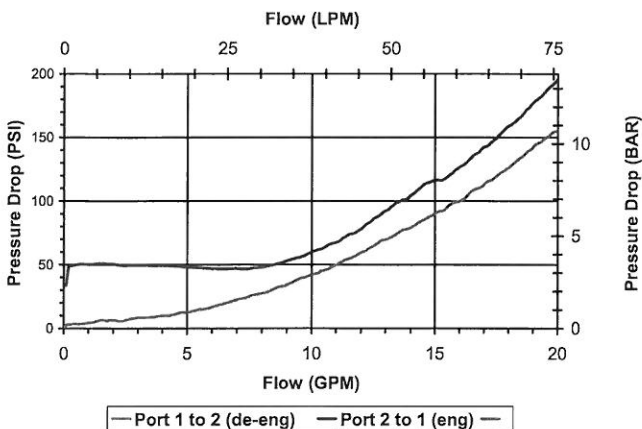
- Hardened parts for long life.
- Efficient wet-armature construction.
- Cartridges are voltage interchangeable.
- Manual override option.
- Industry common cavity.
- Unitized, molded coil design.
- Continuous duty rated solenoid.
- Optional coil voltages and terminations.
- Optional "I" Coil: Weatherproof, Thermal Shock, Immersion Safe.

HYDRAULIC SYMBOL



PERFORMANCE

Actual Test Data (Cartridges Only)



VALVE SPECIFICATIONS

Nominal Flow	15 GPM (57 LPM)
Rated Operating Pressure	3500 PSI (241 bar)
Typical Internal Leakage (150 SSU)	0-5 drops/min
Viscosity Range	36 to 3000 SSU (3 to 647 cSt)
Filtration	ISO 18/16/13
Media Operating Temperature Range	-40° to 250° F (-40° to 120° C)
Weight	.29 lbs. (.13 kg)
Operating Fluid Media	General Purpose Hydraulic Fluid
Cartridge Torque Requirements	30 ft-lbs (40.6 Nm)
Coil Nut Torque Requirements	4-6 ft-lbs (5.4-8.1 Nm)
Cavity	DELTA 2W
Cavity Form Tool (Finishing)	40500000
Seal Kit	21191200

WARNING: The specifications/application data shown in our catalogs and data sheets are intended only as a general guide for the product described (herein). Any specific application should not be undertaken without independent study, evaluation, and testing for suitability.

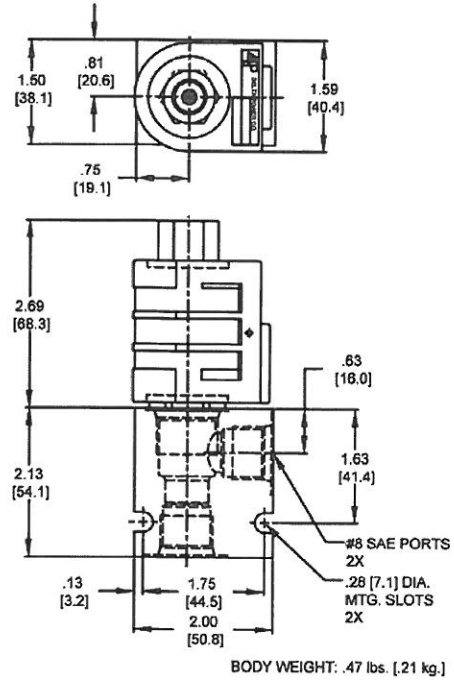
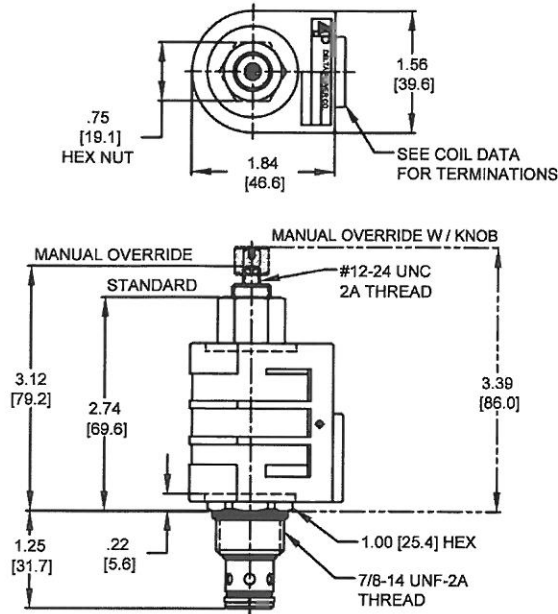
Phone: (815) 397-6628

Fax: (815) 397-2526

E-mail: delta@delta-power.com



DIMENSIONS



ORDERING INFORMATION

DE-S2C

- OPTIONS**
- Buna Standard 00
 - Viton Standard V0
 - Buna, Override 0M
 - Viton, Override VM
 - Buna, Override, Knob OK
 - Viton, Override, Knob VK
 - Buna, Screen A0
 - Viton, Screen W0
 - Buna, Screen, Override B2
 - Viton, Screen, Override V2
 - Buna, Screen, Override, Knob B5
 - Viton, Screen, Override, Knob V5

- BODIES**
- Blank
 - N 3/8 NPTF Ports
 - S #8 SAE Ports

VOLTAGE

- 06 6 VDC
- 12 12 VDC
- 24 24 VDC
- 36 36 VDC
- 48 48 VDC
- 25 24 VAC
- 11 120 VAC
- 22 220 VAC
- 44 440 VAC

Note: Use screen only if flow direction is from (1) to (2).

"D" COIL TERMINATION
(All DC Except as Noted)

- DL Double Lead
- DT Deutsch on Leads DT04-2P
- MI Metri-Pack on Leads
- PI Packard on Leads
- WL Weatherpack on Leads

- SS Single Spade
- DS Double Spade
- HC DIN 43650 (Hirschmann) - (AC & DC)
- CL Conduit Lead - (AC Only)
- DI Deutsch - Integral DT04-2P

IMMERSION PROOF "D" TYPE

- IA "I" Coil AMP Superseal - Integral
- ID "I" Coil Deutsch - Integral DT04-2P
- IJ "I" Coil AMP Jr. Timer - Integral
- IM "I" Coil Metri-Pack - Integral

Approximate Coil Weight: .74 lbs./33 kg.

WARNING: The specifications/application data shown in our catalogs and data sheets are intended only as a general guide for the product described (herein). Any specific application should not be undertaken without independent study, evaluation, and testing for suitability.

Phone: (815) 397-6628

Fax: (815) 397-2526

E-mail: delta@delta-power.com